

**For improving turf that is worn and infiltrated with weeds or foreign grass without breaking up the soil, the TERRA SEED is unbeatable.**

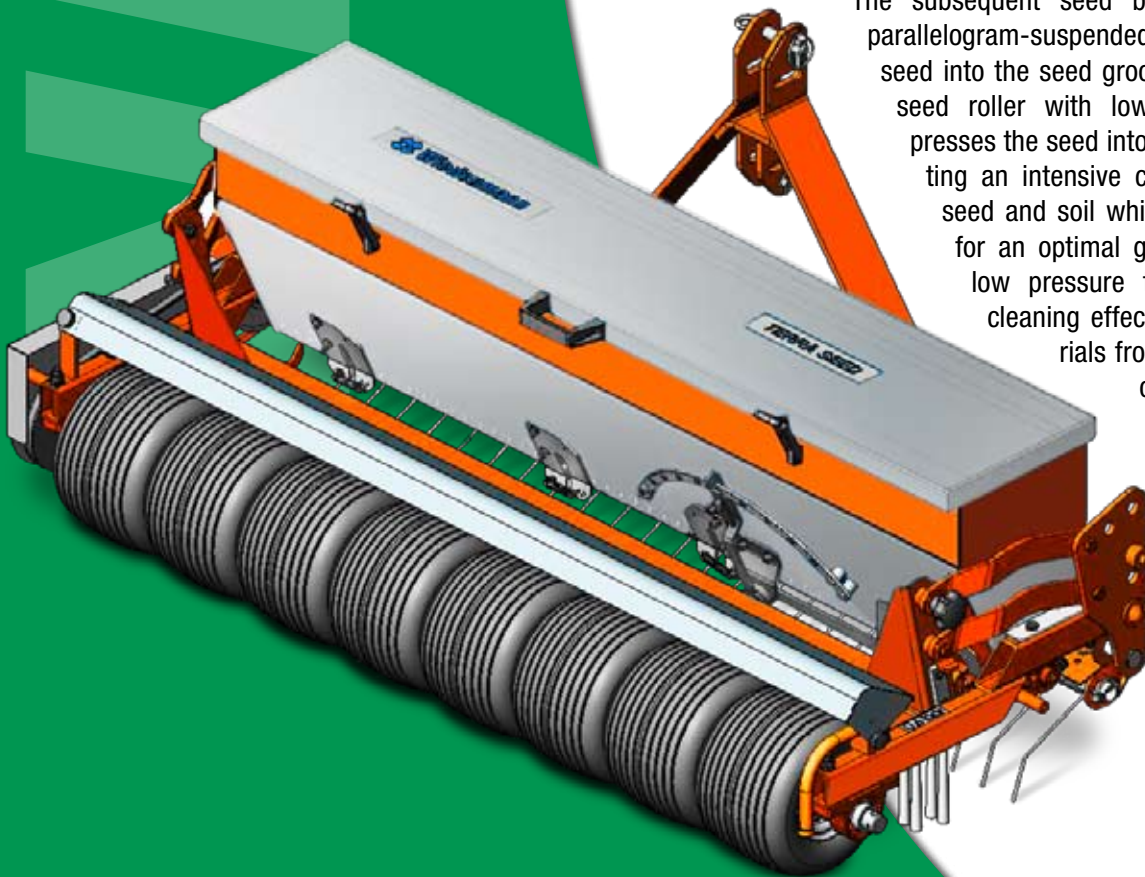
A prerequisite for the successful germination of the seed is an intensive contact between seed and soil. Just as important is an even, stripe-free spread of the seed. All these important requirements for the successful overseeding are met by the TERRA SEED.

For the seed bed preparation special spring tines are used which open up the soil surface. The stirring shaft integrated into the galvanized seed container is driven via a V-belt by the low-pressure tires of the overseeding unit. This ensures an even flow of the seed.

The short distance between seed discharge opening and turf of only 5 ½" minimizes the risk that the seed will be blown away by the wind.

For a quick setting of the discharging volume or for a quick change of seeds the overseeding unit is equipped with a calibration trough and turning crank.

The subsequent seed brush, which is parallelogram-suspended, brushes the seed into the seed grooves. The trailed seed roller with low-pressure tires presses the seed into the soil promoting an intensive contact between seed and soil which is necessary for an optimal germination. The low pressure tires with self-cleaning effect prevent materials from accumulating on the wheels.



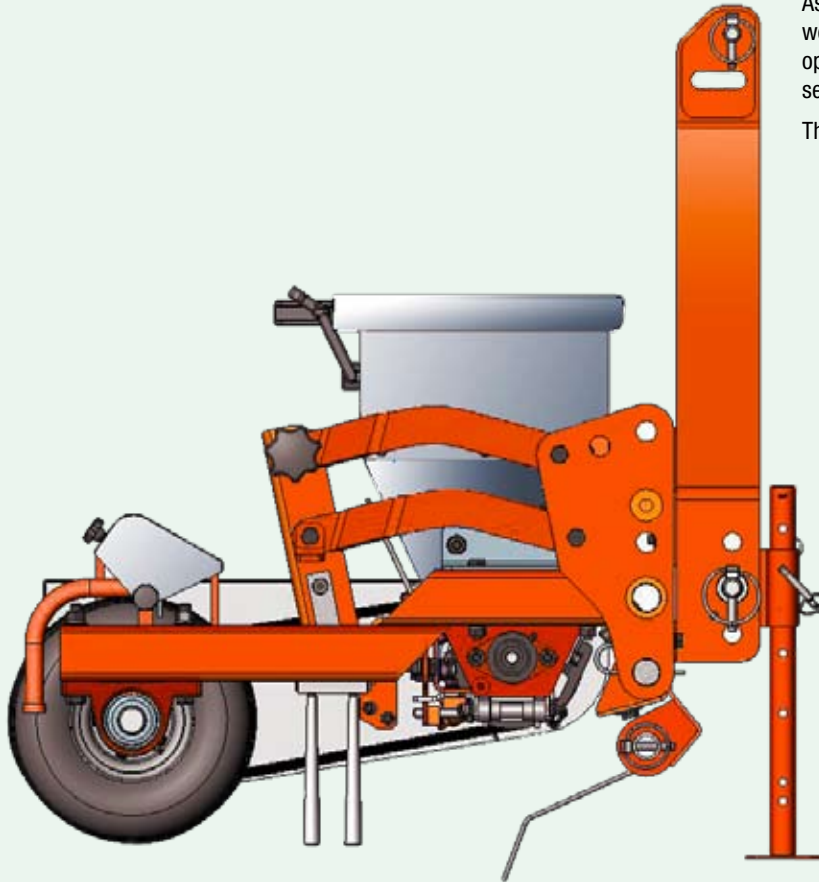
# TERRA SEED

For improving turf that is worn and infiltrated with weeds or foreign grass without breaking up the soil, the TERRA SEED is unbeatable.



As soon as the TERRA SEED has been brought from the working into the transport position, the seed discharge opening is closed automatically, preventing any unintended seed loss during turning maneuvers.

The seed volume can be adjusted progressively.



## TECHNICAL DATA

## TERRA SEED

Dimensions L / W / H approx.:	63 "
Weight approx.:	475 lbs.
Working depth max.:	0.2 "
Mounting:	rear 3-pt. hitch cat. I
Minimum tractor lifting capacity:	550 lbs.
Drive:	ground-driven
Seed roller:	8 pneumatic tires 11 x 7
Volume seed hopper:	5 cu. feet
Spring tines Ø :	0.2 "
Tine spacing approx.:	2 ½ "
Seed brush:	2-rows
Lateral pneumatic support wheels 11 x 4 :	optional

Descriptions and illustrations are non-binding. We reserve the right to modify the construction and design.

